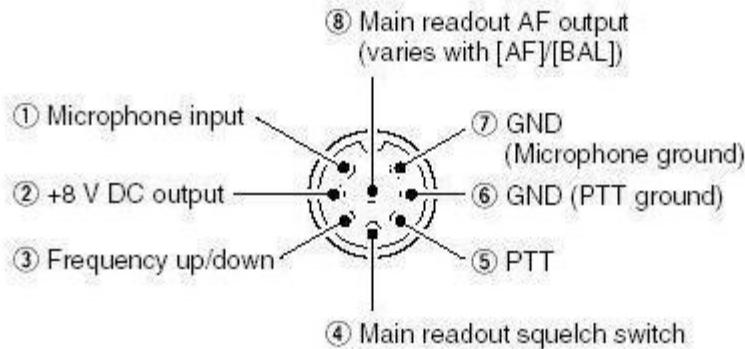


Microphone & Data Plug Information

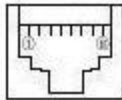
ICOM

Icon microphone connection



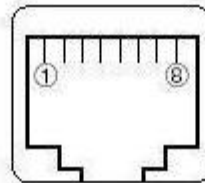
Icom Microphone Connection

Microphone pin assignments



- ① 8 V OUT
- ② Freq. up/down
- ③ 8 V control IN
- ④ PTT
- ⑤ Mic AF (-)
- ⑥ Mic AF (+)
- ⑦ Ground
- ⑧ Data IN

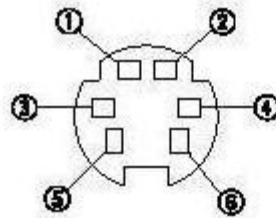
◇ Microphone connector



- ① +8 V DC output
- ② Frequency up/down
- ③ NC (no connection)
- ④ PTT
- ⑤ GND (microphone ground)
- ⑥ MIC (microphone input)
- ⑦ GND
- ⑧ NC (no connection)

Icom Data Plug Connection

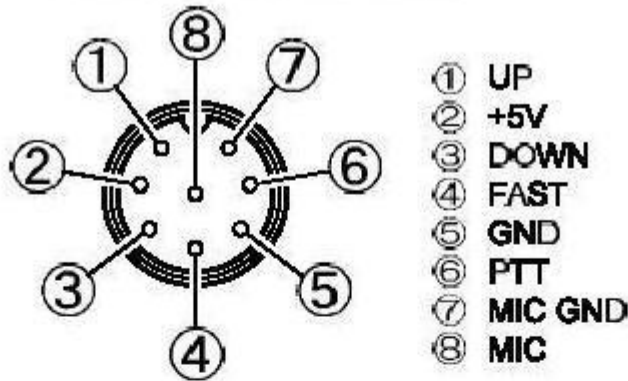
◇ DATA JACK PIN ASSIGNMENTS



- ① DATA IN (1200 bps: AFSK
9600 bps: G3RUH,
GMSK)
- ② GND
- ③ PTT
- ④ DATA OUT (9600 bps)
- ⑤ AF OUT (1200 bps)
- ⑥ SQ

YAESU

Yaesu microphone connection



Yaesu Microphone Connection

This 6-pin modular jack accepts transmit audio, and provides 9600 bps data for Packet Operation.

Pin 1: SW 2 (multi-function switching)

Pin 2: 9600 bps Packet Data Output

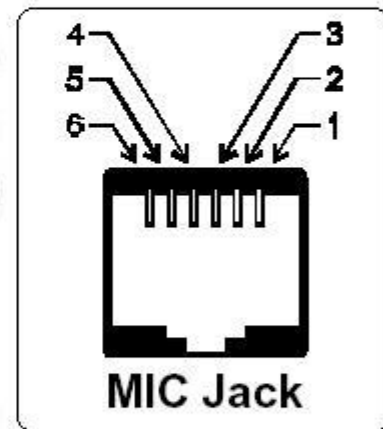
(Impedance:10 k Ω Maximum Output:500 mV pp)

Pin 3: +9V

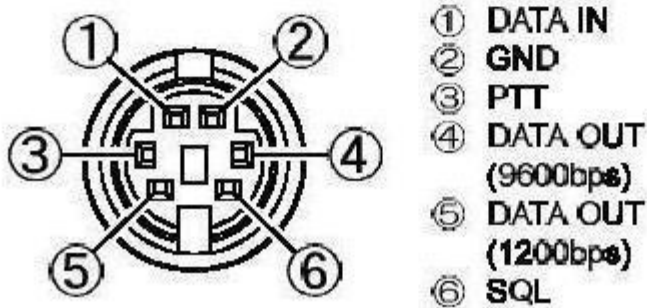
Pin 4: GND

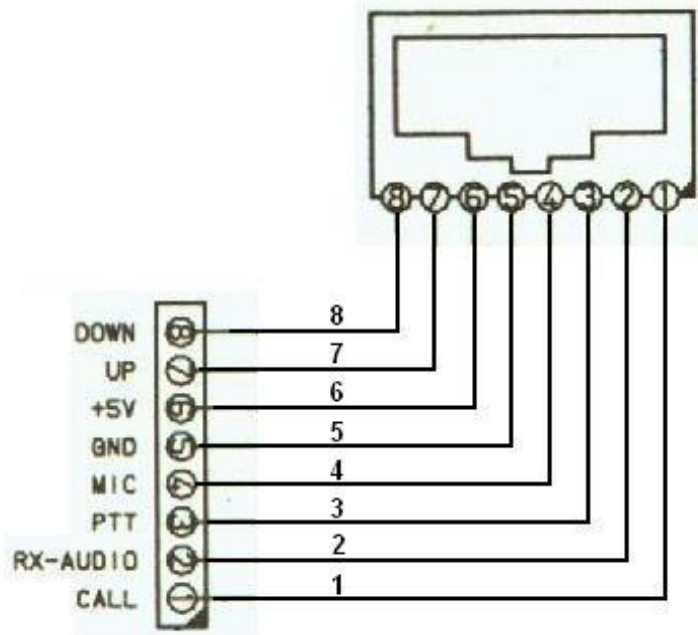
Pin 5: Microphone Input

Pin 6: SW 1 (multi-function switching)



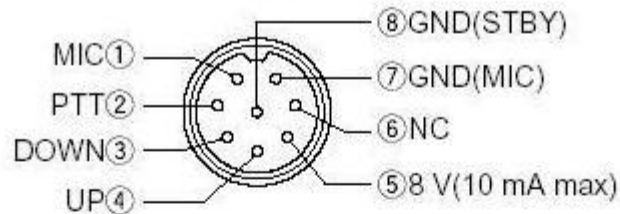
Yaesu Data Plug connection



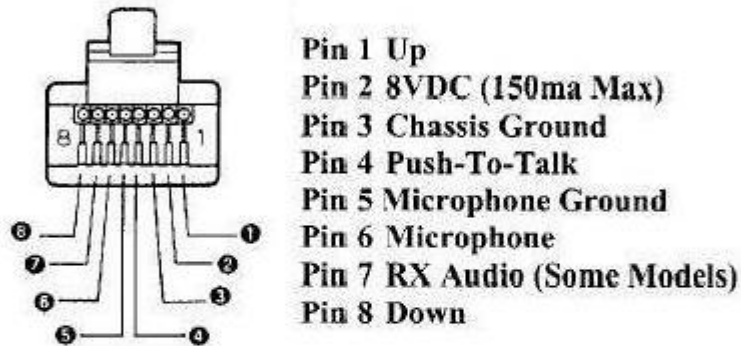


KENWOOD

Kenwood microphone connection



Kenwood Microphone Connection



Kenwood Data Plug Connection

